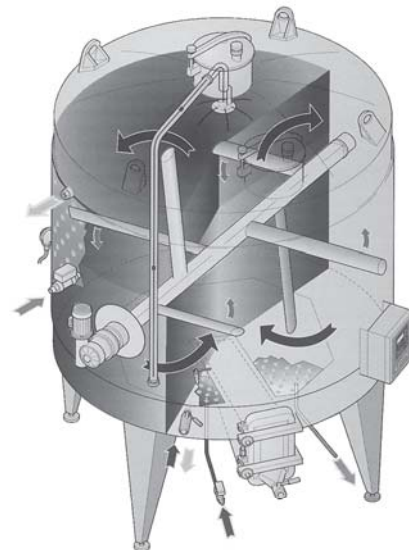


ROTOCAP FERMENTERS

Defranceschi

Automatic fermenter with quasi-horizontal cap-plunging rotating system, cap remounting and macro-oxygenation device (for cap. >=100hl), possibility of removing the seeds during fermentation and cooling/ heating jackets.

- Central upper hatch with air vent valve for cap.<65hl
- Central upper hatch with juice sparger sprayer for cap. >100hl
- Upper off-center hatch with air vent valve for cap. >100hl
- Lower rectangular manhole with tunnel for total outlet and device for expulsion of seeds
- Stainless steel ball valves, projectile well for temperature probe and sample cock
- Remounting piping at work height connected to the sparger for cap. >100 hl
- Gearmotor, fitted to a removable, low-speed rotor with staggered blades (1/16 rpm).
- Cooling/heating jackets
- Electrical control board for controlling the rotor and the temperature



CAPACITY	
HL	Gal
40	1055
65	1720
100	2640
160	4225

ROTARY FERMENTERS

Milani

Revolving self-emptying horizontal fermenter supplied complete with the following items:

- Removable discharge door on conical end.
- Rectangular discharge door for total discharge.
- Complete detachable internal drainage channels for quick and efficient draining without loss of the pomace.
- A helical screw set inside the tank shell into the conical end, which facilitates the quick and complete emptying.
- Three safety valves for fermentation gasses.
- Cooling pocket located on the external housing.
- Self-braking motor reducer with speed variator.
- Electrical control board for rotation control and fermentation temperature control.
- Tank manufactured from grade 304 stainless steel, and support frame from carbon steel, painted.

Custom design and dimensions available on request.

MODEL	GALLON	LENGTH	WIDTH	HEIGHT	POWER
100HL	2642	14' 11"	7' 3"	8' 1"	4 HP
150HL	3963	17' 1"	7' 10"	8' 8"	5.5 HP
180HL	4755	17' 9"	7' 7"	9' 10"	7.38HP
200HL	5283	17' 9"	8' 2"	10' 8"	5.5 HP
250HL	6604	18' 8"	9' 2"	11' 8"	5.5 HP
300HL	7925	20'	9' 10"	12' 4"	10HP
350HL	9246	23' 7"	9' 2"	12'	10HP
400HL	10567	25' 3"	9' 2"	12'	10HP

More sizes available on request.

